
Chrontel CH7039 Multi-Standard Display Interface Converter

FEATURES

- 2 Lane DisplayPort Receiver and Transmitter compliant with DisplayPort specification version 1.2 and Embedded DisplayPort (eDP) Specification version 1.3. Optional HDCP version 1.4, Support VESA and CEA timing standards up to 1920x1200 in 8-bit input with 60Hz refresh rate
- HDMI Receiver and Transmitter compliant with HDMI 1.4 specification and DVI 1.0 specification.
- Support HDMI repeater function.
- Single / Dual channel LVDS 18 / 24 bits receiver and Transmitter supports up to 165 Mpixels/s
- Support 16/18/24 bit parallel video input. Support SDR, DDR, 2X and 3X input timing mode.
- Support BT656 and BT1120 input and output, with embedded or separate sync mode
- Support DP/HDMI 3D input, and output DP/HDMI with repacked 3D content, or output LVDS with R/L View separately. Support LCD panel with resolution up to 1920x1200@60Hz in 2D mode or 1366x768@120Hz in 3D mode
- Three on-chip 9-bit high speed DACs providing flexible output capabilities. Such as single, double or triple CVBS outputs, YPbPr output, RGB output and simultaneous CVBS and S-video outputs
- VGA output is compliant with VESA VSIS v1r2 specification
- Support Component YPbPr output and analog RGB (VGA) monitor up to 1900x 1200 or 1080P
- Advanced pin-multiplexed technology to support multiple input/output display standards
- Support two independent display timing data received simultaneously from two separated input paths
- OSD controller support
- TV / Monitor connection detection capability.
- Support LCD panel protection and power sequencing. PWM is available for controlling LCD backlight brightness. Dynamic backlight dimming to save power consumption Powerful image enhancement engine embedded
- SPDIF audio interface supports either 16-bit or 20-bit stereo data with sampling rate up to 192kHz/2ch.
- Support 2 channel I2S digital audio input and 8(7.1) channel output for up to 24-bit data stream (32kHz/8ch, 44.1kHz/8ch, 48kHz/8ch, 88.2kHz/8ch, 96kHz/8ch, 176.4kHz/8ch and 192kHz/8ch)
- Supports LPCM, One Bit Audio, Dolby Digital, DTS, DSD, HBR digital audio formats

GENERAL DESCRIPTION

Chrontel CH7039 is an innovative display interface product designed for embedded systems, consumer electronics and computing in which conversions among multiple high definition video/audio formats are required. Built in with multiple differential receivers and transmitters, and easy-to-use audio interfaces, the CH7039 can drive LCD panels through either a single or dual channel LVDS/TTL interface or a 1/2 lane DisplayPort interface. It can also simultaneously output to external displays using standards such as HDMI/DVI, YPbPr, VGA, CVBS or S-Video. This device will help manufactures reduce design costs, accelerate time-to-market and expand product features for better user's experience.

The CH7039 has four input and four output ports to supports multiple display standards. Some ports are multiplexed with different signal types to reduce pin count. For example, the 24-bit wide digital port can be programmed to receive LVDS or TTL signals and supports various formats like RGB, BT1120, BT656, etc. while the 8-bit port can accept HDMI or BT656 inputs. The 2 Lane DP / eDP port stands alone because of its high data transfer rate.

Through a 4x2 input switch matrix, the device can be configured to simultaneously accept two separated video formats with independent display timing. The input combination can be mixed among the TTL/BT1120/LVDS, the DP/eDP and the HDMI/BT656 input in either RGB format (RGB-565, RGB-666 or RGB-888 and etc.) or YCrCb format (ITU-R 601/656 and BT1120). A 2x4 output switch matrix can be programmed to drive the various output ports simultaneously with two kinds of independent timing.

The CH7039 supports 3D data structures defined by DP and HDMI standards. The device can translate and repack 3D data when DP signals are converted to HDMI and vice versa. 3D data can also be displayed as R/L frame via its LVDS output.

The CH7039's DisplayPort receiver and transmitter are designed to comply with DisplayPort Specification 1.2 and Embedded DisplayPort (eDP) Specification version 1.3. It provides support for one or two Main Link lanes with data rate running at 1.62Gb/s or 2.7Gb/s. To further optimize the display quality and power dissipation, this device is equipped with seamless display refresh rate switching and progressive to interlace timing switching

- 27MHz is available as crystal or oscillator clock input frequency
- MCU embedded to handle the control logic
- Integrated EDID Buffer
- IO and SPC/SPD supply voltages from 1.8V to 3.3V
- Programmable power management
- Device fully programmable through serial port or can automatically load firmware from On-chip Flash
- RoHS compliant and Halogen free package
- Offered in 176 pin LQFP package and 196 pin BGA package

APPLICATIONS

- Docking Station
- Embedded System
- Notebook / Ultrabook
- Tablet Device
- IPTV Box
- Internet TV / SmartTV
- Video Conversion Cable / Adapter / Matrix
- DVR / Security field
- Stand Show / Medical Inspection Apparatus

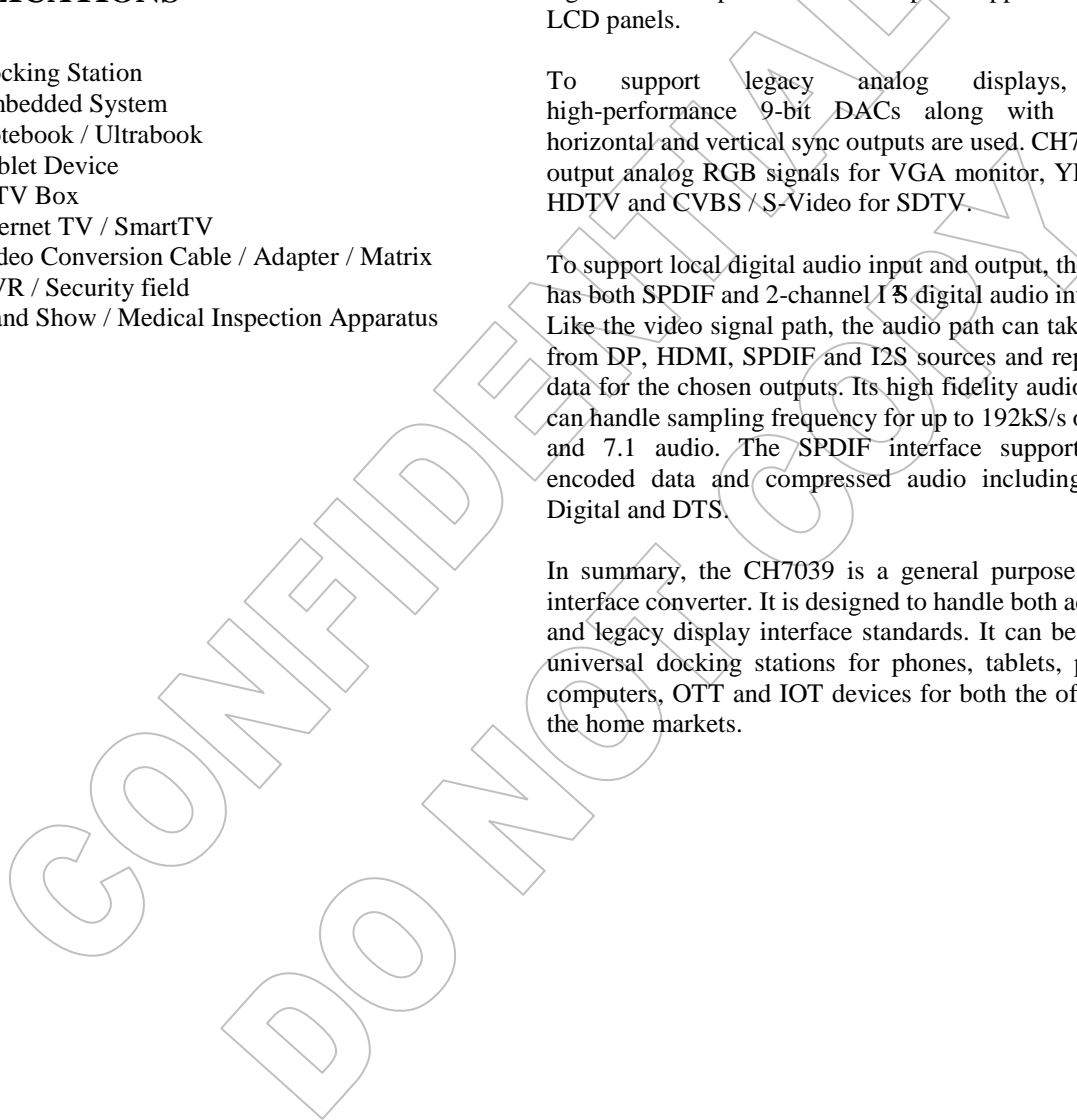
capabilities. The CH7039’s HDMI receiver and transmitter are designed to meet HDMI Specification 1.4 and DVI Specification 1.0. On-chip HDCP cipher engine can be activated to protect the high definition media content.

Dual channel LVDS receiver and transmitter are incorporated into the CH7039. The Panel protection mechanism is also built in to switch off the LCD instantly through device’s automated panel on/off sequences if input data is missing or unstable. The backlight on/off control can be configured through programming internal registers. A built-in PWM generator can be used to adjust display brightness and dimming of the LCD. Dithering algorithm is implemented on chip in support of 18-bits LCD panels.

To support legacy analog displays, three high-performance 9-bit DACs along with separate horizontal and vertical sync outputs are used. CH7039 can output analog RGB signals for VGA monitor, YPrPb for HDTV and CVBS / S-Video for SDTV.

To support local digital audio input and output, the device has both SPDIF and 2-channel I²S digital audio interfaces. Like the video signal path, the audio path can take inputs from DP, HDMI, SPDIF and I2S sources and repack the data for the chosen outputs. Its high fidelity audio engine can handle sampling frequency for up to 192kS/s of stereo and 7.1 audio. The SPDIF interface supports PCM encoded data and compressed audio including Dolby Digital and DTS.

In summary, the CH7039 is a general purpose display interface converter. It is designed to handle both advanced and legacy display interface standards. It can be used in universal docking stations for phones, tablets, personal computers, OTT and IOT devices for both the office and the home markets.



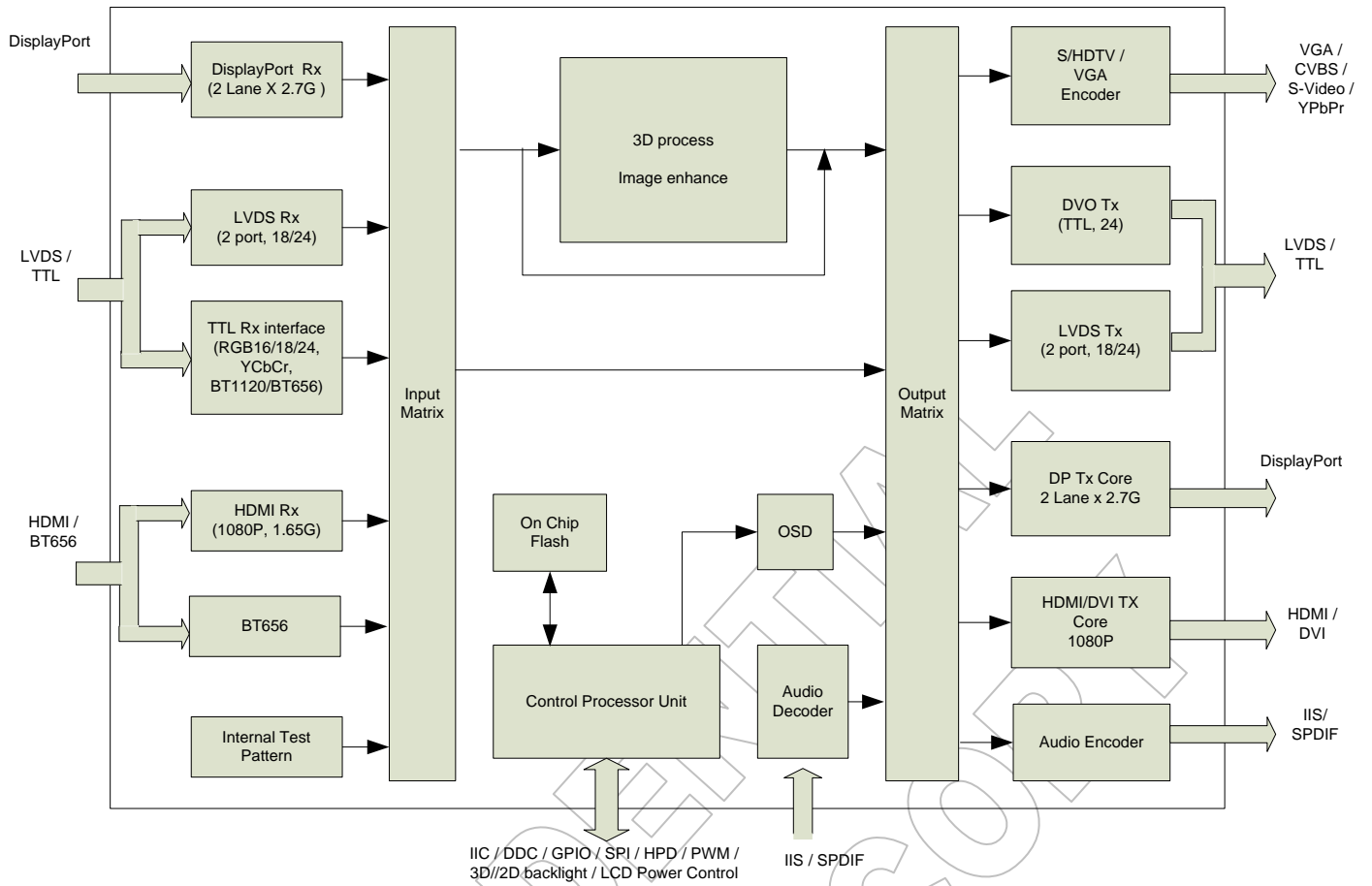


Figure 1: CH7039 Functional Block Diagram

1.0 PIN-OUT

1.1 Package Diagram

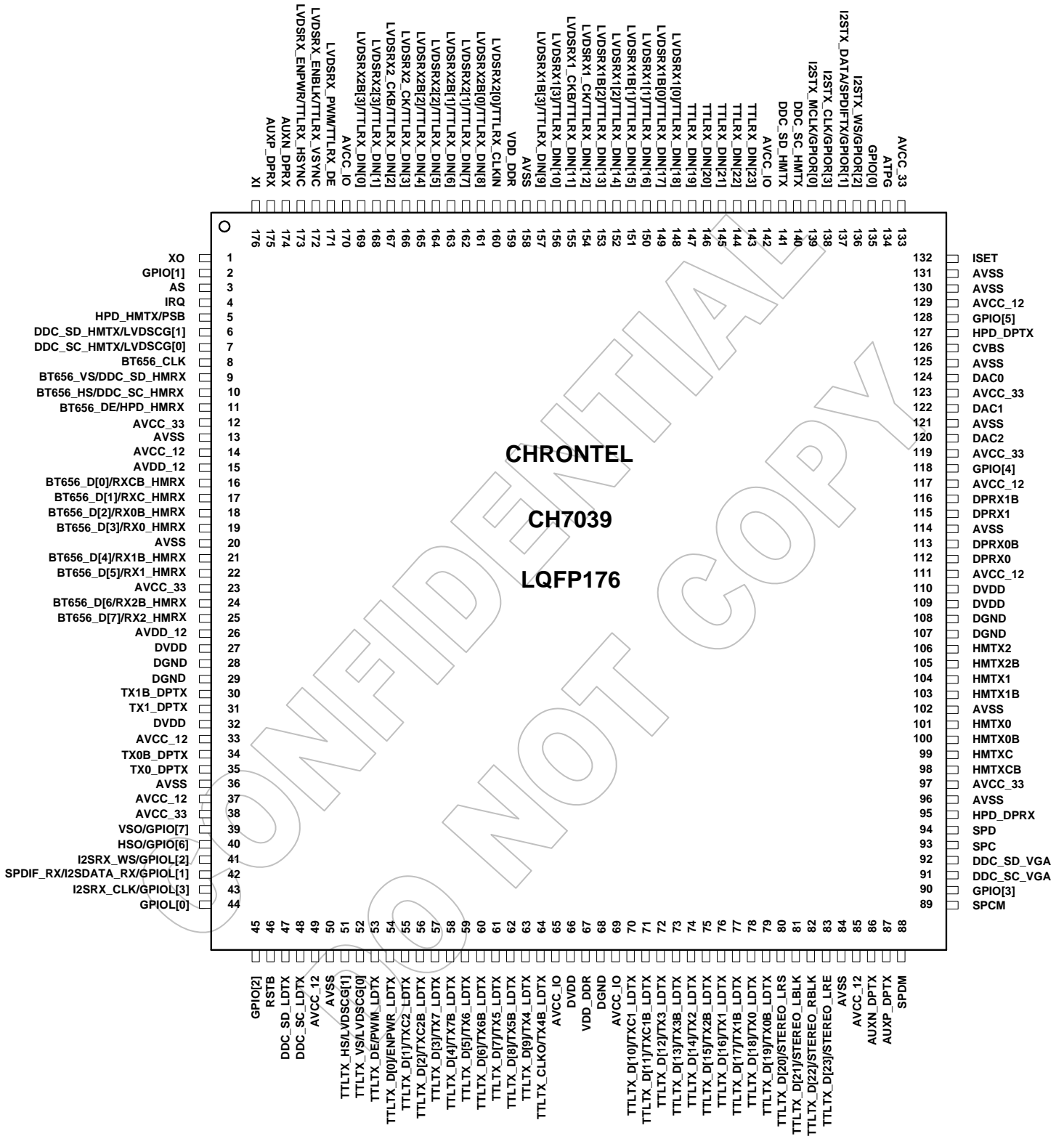


Figure 2: CH7039 176-Pin LQFP Pin Out

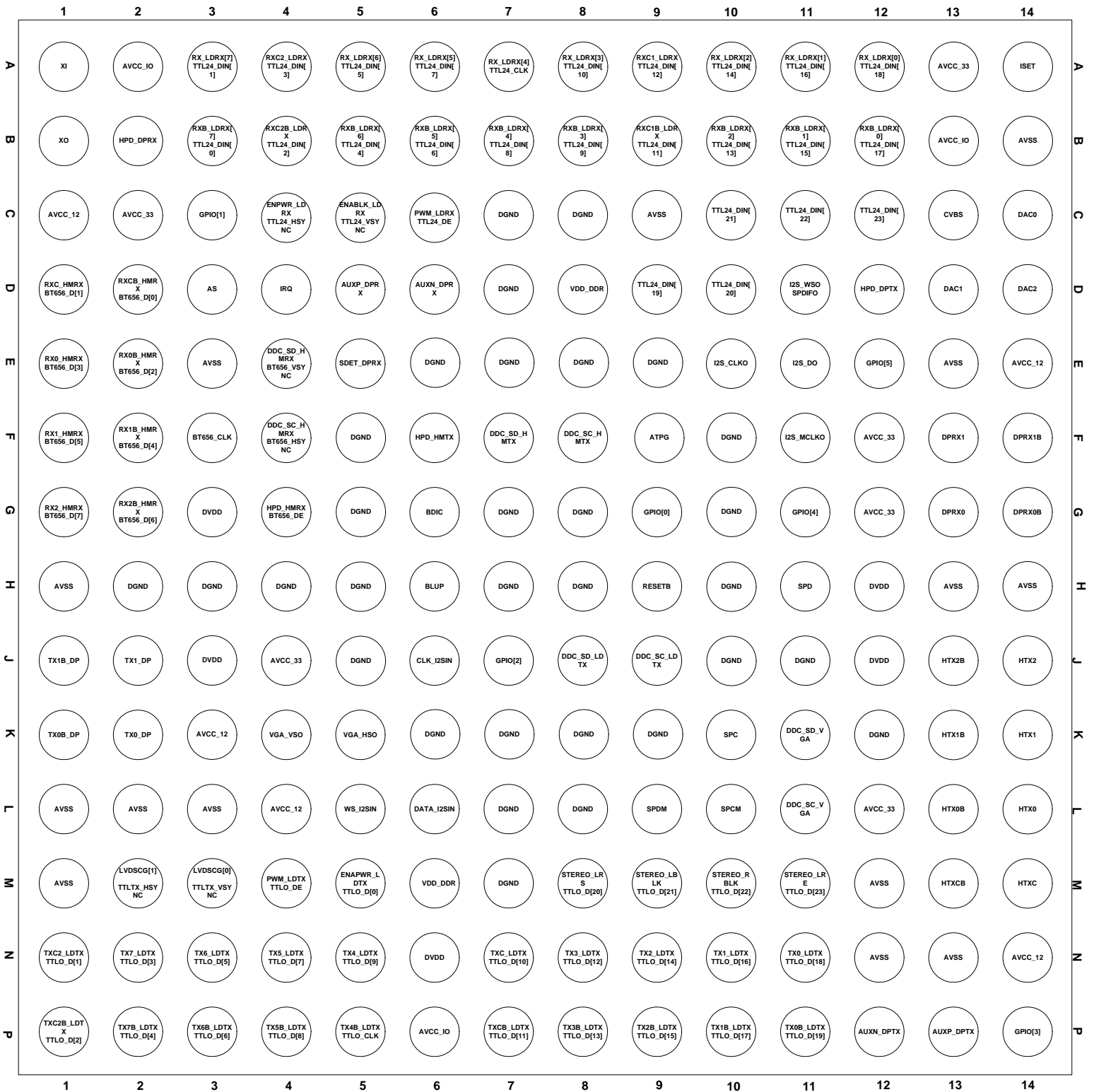


Figure 3: CH7039 196-Pin BGA Pin Out

1.2 Pin Description

Table 1: 176 LQFP Pin Name Descriptions

Pin #	Type	Symbol	Description
1	Out	XO	Crystal Output A parallel resonance crystal should be attached between this pin and XI. If an external CMOS clock is injected to XI, XO should be left open.
2,39,40, 45,90,11 8,128,13 5	In/Out	GPIO[7:0]	General Purpose Input/Output
3	In	AS	Address Select
4	Out	IRQ	Programmed Interrupt Output
5	In	HPD_HMTX	HDMI Transmitter HPD Input
	In/Out	PSB	General Purpose Input/Output
6	Out	DDC_SD_HMTX	HDMI Transmitter DDC Data Channel This pin functions as the bi-directional data pin of the serial port to HDMI DDC source. This pin will require a pull-up 1.8 kΩ Resistor to the desired voltage level.
	In/Out	LVDS CG[1]	General Purpose Input/Output Default definition is LVDS Panel Selection control
7	In/Out	DDC_SC_HMTX	HDMI Transmitter DDC Clock Channel This pin functions as the clock bus of the serial port to HDMI DDC source. This pin will require a pull-up 1.8 kΩ Resistor to the desired voltage level.
	In/Out	LVDS CG[0]	General Purpose Input/Output Default definition is LVDS Panel Selection control
8	In	BT656_CLK	BT656 Input Clock
9	In	BT656_VS	BT656 Input VSYNC
	In/Out	DDC_SD_HMRX	HDMI Receiver DDC Data Channel This pin functions as the bi-directional data pin of the serial port to HDMI DDC receiver. This pin will require a pull-up 47 kΩ Resistor to the desired voltage level.
10	In	BT656_HS	BT656 Input HSYNC
	In	DDC_SC_HMRX	HDMI Receiver DDC Clock Channel This pin functions as the clock bus of the serial port to HDMI DDC receiver. This pin will require a pull-up 47 kΩ Resistor to the desired voltage level.
11	In	BT656_DE	BT656 Input DE
	Out	HPD_HMRX	HDMI Receiver HPD Output
16	In	RXCB_HMRX	HDMI Rx Negative Clock Channel
	In	BT656_D[0]	BT656 Input Data Bit 0 (LSB)
17	In	RXC_HMRX	HDMI Rx Positive Clock Channel
	In	BT656_D[1]	BT656 Input Data Bit 1
18	In	RX0B_HMRX	HDMI Rx Negative Data Channel 0
	In	BT656_D[2]	BT656 Input Data Bit 2
19	In	RX0_HMRX	HDMI Rx Positive Data Channel 0
	In	BT656_D[3]	BT656 Input Data Bit 3

21	In	RX1B_HMRX	HDMI Rx Negative Data Channel 1
	In	BT656_D[4]	BT656 Input Data Bit 4
22	In	RX1_HMRX	HDMI Rx Positive Data Channel 1
	In	BT656_D[5]	BT656 Input Data Bit 5
24	In	RX2B_HMRX	HDMI Rx Negative Data Channel 2
	In	BT656_D[6]	BT656 Input Data Bit 6
25	In	RX2_HMRX	HDMI Rx Positive Data Channel 2
	In	BT656_D[7]	BT656 Input Data Bit 7 (MSB)
30	Out	TX1B_DPTX	DP Tx Lane 1 Negative Data
31	Out	TX1_DPTX	DP Tx Lane 1 Positive Data
34	Out	TX0B_DPTX	DP Tx Lane 0 Negative Data
35	Out	TX0_DPTX	DP Tx Lane 0 Positive Data
39	Out	VGA_VSO	VGA VSYNC Output
	In/Out	GPIO[7]	General Purpose Input/Output
40	Out	VGA_HSO	VGA HSYNC Output
	In/Out	GPIO[6]	General Purpose Input/Output
41	In	I2SRX_WS	WS of I2S Audio Input
	In/Out	GPIO[2]	General Purpose Input/Output Default definition is backlight brightness control
42	In	SPDIF_RX	SPDIF Audio Input
	In	I2SDATA_RX	Data of I2S Audio Input
	In/Out	GPIO[1]	General Purpose Input/Output
43	In	I2SRX_CLK	Input Clock of I2S Audio Input
	In/Out	GPIO[3]	General Purpose Input/Output
44	In/Out	GPIO[0]	General Purpose Input/Output
46	In	RSTB	Chip Reset Low to 0V for reset. Typical High level is 3.3V
47	In/Out	DDC_SD_LDTX	LVDS Transmitter DDC Data Channel This pin functions as the bi-directional data pin of the serial port to LVDS DDC receiver. This pin will require a pull-up 5.6 kΩ Resistor to the desired voltage level.
48	Out	DDC_SC_LDTX	LVDS Transmitter DDC Clock Channel This pin functions as the clock bus of the serial port to LVDS DDC receiver. This pin will require a pull-up 5.6 kΩ Resistor to the desired voltage level.
51	Out	TTLTX_HS	TTL Transmitter HSYNC Output
	In/Out	LVDS[1]	General Purpose Input/Output Default definition is LVDS Panel Selection control
52	Out	TTLTX_VS	TTL Transmitter VSYNC Output
	In/Out	LVDS[0]	General Purpose Input/Output Default definition is LVDS Panel Selection control
53	Out	TTLTX_DE	TTL Transmitter DE Output
	In/Out	PWM_LDTX	LVDS Transmitter PWM Output
54	Out	TTLTX_D[0]	TTL Transmitter Data Bit 0

	In/Out	ENPWR_LDTX	LVDS Panel Power Enable Output
55	Out	TTLTX_D[1]	TTL Transmitter Data Bit 1
	Out	TXC2_LDTX	LVDS Transmitter Positive Even Clock Channel
56	Out	TTLTX_D[2]	TTL Transmitter Data Bit 2
	Out	TXC2B_LDTX	LVDS Transmitter Negative Even Clock Channel
57	Out	TTLTX_D[3]	TTL Transmitter Data Bit 3
	Out	TX7_LDTX	LVDS Transmitter Positive Even Data Channel 3
58	Out	TTLTX_D[4]	TTL Transmitter Data Bit 4
	Out	TX7B_LDTX	LVDS Transmitter Negative Even Data Channel 3
59	Out	TTLTX_D[5]	TTL Transmitter Data Bit 5
	Out	TX6_LDTX	LVDS Transmitter Positive Even Data Channel 2
60	Out	TTLTX_D[6]	TTL Transmitter Data Bit 6
	Out	TX6B_LDTX	LVDS Transmitter Negative Even Data Channel 2
61	Out	TTLTX_D[7]	TTL Transmitter Data Bit 7
	Out	TX5_LDTX	LVDS Transmitter Positive Even Data Channel 1
62	Out	TTLTX_D[8]	TTL Transmitter Data Bit 8
	Out	TX5B_LDTX	LVDS Transmitter Negative Even Data Channel 1
63	Out	TTLTX_D[9]	TTL Transmitter Data Bit 9
	Out	TX4_LDTX	LVDS Transmitter Positive Even Data Channel 0
64	Out	TTLTX_CLKO	TTL Transmitter Clock Output
	Out	TX4B_LDTX	LVDS Transmitter Negative Even Data Channel 0
70	Out	TTLTX_D[10]	TTL Transmitter Data Bit 10
	Out	TXC1_LDTX	LVDS Transmitter Positive Odd Clock Channel
71	Out	TTLTX_D[11]	TTL Transmitter Data Bit 11
	Out	TXC1B_LDTX	LVDS Transmitter Negative Odd Clock Channel
72	Out	TTLTX_D[12]	TTL Transmitter Data Bit 12
	Out	TX3_LDTX	LVDS Transmitter Positive Odd Data Channel 3
73	Out	TTLTX_D[13]	TTL Transmitter Data Bit 13
	Out	TX3B_LDTX	LVDS Transmitter Negative Odd Data Channel 3
74	Out	TTLTX_D[14]	TTL Transmitter Data Bit 14
	Out	TX2_LDTX	LVDS Transmitter Positive Odd Data Channel 2
75	Out	TTLTX_D[15]	TTL Transmitter Data Bit 15
	Out	TX2B_LDTX	LVDS Transmitter Negative Odd Data Channel 2
76	Out	TTLTX_D[16]	TTL Transmitter Data Bit 16
	Out	TX1_LDTX	LVDS Transmitter Positive Odd Data Channel 1
77	Out	TTLTX_D[17]	TTL Transmitter Data Bit 17
	Out	TX1B_LDTX	LVDS Transmitter Negative Odd Data Channel 1
78	Out	TTLTX_D[18]	TTL Transmitter Data Bit 18
	Out	TX0_LDTX	LVDS Transmitter Positive Odd Data Channel 0

79	Out	TTLTX_D[19]	TTL Transmitter Data Bit 19
	Out	TX0B_LDTX	LVDS Transmitter Negative Odd Data Channel 0
80	Out	TTLTX_D[20]	TTL Transmitter Data Bit 20
	In/Out	STEREO_LRS	General Purpose Input/Output Default definition is Left/Right Eye Swap for 3D mode
81	Out	TTLTX_D[21]	TTL Transmitter Data Bit 21
	In/Out	STEREO_LBLK	General Purpose Input/Output Default definition is Left Eye Backlight Enable for 3D mode
82	Out	TTLTX_D[22]	TTL Transmitter Data Bit 22
	In/Out	STEREO_RBLK	General Purpose Input/Output Default definition is Right Eye Backlight Enable for 3D mode
83	Out	TTLTX_D[23]	TTL Transmitter Data Bit 23
	In/Out	STEREO_LRE	General Purpose Input/Output Default definition is Left/Right Eye Indicator for 3D mode
86	In/Out	AUXN_DPTX	DP Tx AUX CH Negative Data
87	In/Out	AUXP_DPTX	DP Tx AUX CH Positive Data
88	In/Out	SPDM	I2C Master Serial Port Data If EEPROM is not included inside CH7039 then this pin functions as the bi-directional data pin of the serial port to chip firmware and HDCP Key EEPROM. This pin will require a pull-up 5.6 kΩ Resistor to the desired voltage level. A pull-low resistor 10 kΩ to ground if unused. If EEPROM is included inside CH7039 then this pin can be connected to Host I2C SC to burn EEPROM in production or in evaluation.
89	Out	SPCM	I2C Master Serial Port Clock If EEPROM is not included inside CH7039 then this pin functions as the clock bus of the serial port to chip firmware and HDCP Key EEPROM. This pin will require a pull-up 5.6 kΩ Resistor to the desired voltage level. A pull-low resistor 10 kΩ to ground if unused. If EEPROM is included inside CH7039 then this pin can be connected to Host I2C SC to burn EEPROM in production or in evaluation.
91	Out	DDC_SC_VGA	VGA DDC Clock Channel This pin functions as the clock output pin of the serial port to VGA DDC receiver. This pin will require a pull-up 5.6 kΩ Resistor to the desired voltage level.
92	In/Out	DDC_SD_VGA	VGA DDC Data Channel This pin functions as the bi-directional data pin of the serial port to VGA DDC receiver. This pin will require a pull-up 5.6 kΩ Resistor to the desired voltage level.
93	In	SPC	I2C Slave Serial Port Clock Input This pin functions as the clock pin of the serial port. External pull-up 6.8 kΩ Resistor is required.
94	In/Out	SPD	I2C Slave Serial Port Data Input / Output This pin functions as the bi-directional data pin of the serial port. External pull-up 6.8 kΩ Resistor is required.
95	Out	HPD_DPRX	DisplayPort Receiver HPD Output
98	Out	HMTXCB	HDMI Transmitter Negative Clock Channel
99	Out	HMTXC	HDMI Transmitter Positive Clock Channel
100	Out	HMTX0B	HDMI Transmitter Negative Data 0 Channel
101	Out	HMTX0	HDMI Transmitter Positive Data 0 Channel

103	Out	HMTX1B	HDMI Transmitter Negative Data 1 Channel
104	Out	HMTX1	HDMI Transmitter Positive Data 1 Channel
105	Out	HMTX2B	HDMI Transmitter Negative Data 2 Channel
106	Out	HMTX2	HDMI Transmitter Positive Data 2 Channel
112	In	DPRX0	DisplayPort Receiver Positive Lane 0
113	In	DPRX0B	DisplayPort Receiver Negative Lane 0
115	In	DPRX1	DisplayPort Receiver Positive Lane 1
116	In	DPRX1B	DisplayPort Receiver Negative Lane 1
120	Out	DAC2	VGA DAC Output
122	Out	DAC1	VGA DAC Output
124	Out	DAC0	VGA DAC Output
126	Out	CVBS	CVBS Output Signal switched from DAC0 internally. While this pin is CVBS output enabled, no signal output from the pin of DAC0.
127	In	HPD_DPTX	DP Tx HPD Input
132	In	ISET	VGA Output Current Set This pin sets the DAC current. A 1 k Ω , 1% tolerance resistor should be connected between this pin and ground using short and wide traces.
134	In	ATPG	ATPG Enable (Internally pull-low) Chip test pin. This pin should be pulled low with a 10 k Ω resistor in the application.
136	Out	I2STX_WS	WS of I2S Audio Output
	In/Out	GPIOR[2]	General Purpose Input/Output Default definition is backlight brightness control
137	Out	SPDIF_TX	SPDIF Audio Output
	Out	I2SDATA_TX	Data of I2S Audio Output
	In/Out	GPIOR[1]	General Purpose Input/Output
138	Out	I2STX_CLK	Input Clock of I2S Audio Output
	In/Out	GPIOR[3]	General Purpose Input/Output
139	Out	I2STX_MCLK	I2S Output Clock I2STX_MCLK can be configured to be 128/256/384*Fs CMOS level signal, typical 3.3 for high, 0 for low.
	In/Out	GPIOR[0]	General Purpose Input/Output
140	Out	DDC_SC_HMTX	HDMI Transmitter DDC Clock Channel This pin functions as the clock bus of the serial port to HDMI DDC receiver. This pin will require a pull-up 1.8 k Ω Resistor to the desired voltage level.
141	In/Out	DDC_SD_HMTX	HDMI Transmitter DDC Data Channel This pin functions as the bi-directional data pin of the serial port to HDMI DDC receiver. This pin will require a pull-up 1.8 k Ω Resistor to the desired voltage level.
143	In	TTLRX_DIN[23]	TTL Receiver Data Input Bit 23
144	In	TTLRX_DIN[22]	TTL Receiver Data Input Bit 22
145	In	TTLRX_DIN[21]	TTL Receiver Data Input Bit 21
146	In	TTLRX_DIN[20]	TTL Receiver Data Input Bit 20
147	In	TTLRX_DIN[19]	TTL Receiver Data Input Bit 19

148	In	TTLRX_DIN[18]	TTL Receiver Data Input Bit 18
	In	LVDSRX1[0]	LVDS Receiver Positive Odd Data Channel 0
149	In	TTLRX_DIN[17]	TTL Receiver Data Input Bit 17
	In	LVDSRX1B[0]	LVDS Receiver Negative Odd Data Channel 0
150	In	TTLRX_DIN[16]	TTL Receiver Data Input Bit 16
	In	LVDSRX1[1]	LVDS Receiver Positive Odd Data Channel 1
151	In	TTLRX_DIN[15]	TTL Receiver Data Input Bit 15
	In	LVDSRX1B[1]	LVDS Receiver Negative Odd Data Channel 1
152	In	TTLRX_DIN[14]	TTL Receiver Data Input Bit 14
	In	LVDSRX1[2]	LVDS Receiver Positive Odd Data Channel 2
153	In	TTLRX_DIN[13]	TTL Receiver Data Input Bit 13
	In	LVDSRX1B[2]	LVDS Receiver Negative Odd Data Channel 2
154	In	TTLRX_DIN[12]	TTL Receiver Data Input Bit 12
	In	LVDSRX1_CK	LVDS Receiver Positive Odd Clock Channel
155	In	TTLRX_DIN[11]	TTL Receiver Data Input Bit 11
	In	LVDSRX1_CKB	LVDS Receiver Negative Odd Clock Channel
156	In	TTLRX_DIN[10]	TTL Receiver Data Input Bit 10
	In	LVDSRX1[3]	LVDS Receiver Positive Odd Data Channel 3
157	In	TTLRX_DIN[9]	TTL Receiver Data Input Bit 9
	In	LVDSRX1B[3]	LVDS Receiver Negative Odd Data Channel 3
160	In	TTLRX_CLKIN	TTL Receiver Clock Input
	In	LVDSRX2[0]	LVDS Receiver Positive Even Data Channel 0
161	In	TTLRX_DIN[8]	TTL Receiver Data Input Bit 8
	In	LVDSRX2B[0]	LVDS Receiver Negative Even Data Channel 0
162	In	TTLRX_DIN[7]	TTL Receiver Data Input Bit 7
	In	LVDSRX2[1]	LVDS Receiver Positive Even Data Channel 1
163	In	TTLRX_DIN[6]	TTL Receiver Data Input Bit 6
	In	LVDSRX2B[1]	LVDS Receiver Negative Even Data Channel 1
164	In	TTLRX_DIN[5]	TTL Receiver Data Input Bit 5
	In	LVDSRX2[2]	LVDS Receiver Positive Even Data Channel 2
165	In	TTLRX_DIN[4]	TTL Receiver Data Input Bit 4
	In	LVDSRX2B[2]	LVDS Receiver Negative Even Data Channel 2
166	In	TTLRX_DIN[3]	TTL Receiver Data Input Bit 3
	In	LVDSRX2_CK	LVDS Receiver Positive Even Clock Channel
167	In	TTLRX_DIN[2]	TTL Receiver Data Input Bit 2
	In	LVDSRX2_CKB	LVDS Receiver Negative Even Clock Channel
168	In	TTLRX_DIN[1]	TTL Receiver Data Input Bit 1
	In	LVDSRX2[3]	LVDS Receiver Positive Even Data Channel 3
169	In	TTLRX_DIN[0]	TTL Receiver Data Input Bit 0

	In	LVDSRX2B[3]	LVDS Receiver Negative Even Data Channel 3
171	In	TTLRX_DE	TTL Receiver DE Input
	In	LVDSRX_PWM	General Purpose Input
172	In	TTLRX_VSYNC	TTL Receiver VSYNC Input
	In	LVDSRX_ENBLK	General Purpose Input
173	In	TTLRX_HSYNC	TTL Receiver HSYNC Input
	In	LVDSRX_ENPW R	General Purpose Input
174	In/Out	AUXN_RX	DisplayPort Receiver Negative AUX CH
175	In/Out	AUXP_RX	DisplayPort Receiver Positive AUX CH
176	In	XI	Crystal Input / External Reference Input A parallel resonance crystal should be attached between this pin and XO. An external 3.3V CMOS compatible clock can drive the XI Input.
12,23,38 ,97,119, 123,133	Power	AVCC_33	Analog Power Supply (3.3V)
13,20,36 ,50,84,9 6,102,11 4,121,12 5,130,13 1,158	Power	AVSS	Analog Ground
14,15,26 ,33,37,4 9,85,111 ,,117,12 9	Power	AVCC_12	Analog/DCORE Power Supply (1.2V)
27,32,66 ,109,110	Power	DVDD	Digital Power Supply (1.2V)
28,29,68 ,107,108	Power	DGND	Digital Ground
65,69,14 2,170	Power	AVCC_IO	LVDS /TTL Rx/Tx Analog Power Supply(1.8~3.3V) While for LVDS configure, the power supply should be 3.3V
67, 159	Power	VDD_DDR	Digital Power Supply (1.8V)

Table 2: BGA196 Pin Name Description

Pin #	Type	Symbol	Description
A1	In	XI	Crystal Input / External Reference Input A parallel resonance crystal should be attached between this pin and XO. An external 3.3V CMOS compatible clock can drive the XI Input.
A3	In	TTLRX_DIN[1]	TTL Receiver Data Input Bit 1
	In	LVDSRX2[3]	LVDS Receiver Positive Even Data Channel 3
A4	In	TTLRX_DIN[3]	TTL Receiver Data Input Bit 3
	In	LVDSRX2_CK	LVDS Receiver Positive Even Clock Channel
A5	In	TTLRX_DIN[5]	TTL Receiver Data Input Bit 5
	In	LVDSRX2[2]	LVDS Receiver Positive Even Data Channel 2
A6	In	TTLRX_DIN[7]	TTL Receiver Data Input Bit 7

	In	LVDSRX2[1]	LVDS Receiver Positive Even Data Channel 1
A7	In	TTLRX_CLKIN	TTL Receiver Clock Input
	In	LVDSRX2[0]	LVDS Receiver Positive Even Data Channel 0
A8	In	TTLRX_DIN[10]	TTL Receiver Data Input Bit 10
	In	LVDSRX1[3]	LVDS Receiver Positive Odd Data Channel 3
A9	In	TTLRX_DIN[12]	TTL Receiver Data Input Bit 12
	In	LVDSRX1_CK	LVDS Receiver Positive Odd Clock Channel
A10	In	TTLRX_DIN[14]	TTL Receiver Data Input Bit 14
	In	LVDSRX1[2]	LVDS Receiver Positive Odd Data Channel 2
A11	In	TTLRX_DIN[16]	TTL Receiver Data Input Bit 16
	In	LVDSRX1[1]	LVDS Receiver Positive Odd Data Channel 1
A12	In	TTLRX_DIN[18]	TTL Receiver Data Input Bit 18
	In	LVDSRX1[0]	LVDS Receiver Positive Odd Data Channel 0
A14	In	ISET	VGA Output Current Set This pin sets the DAC current. A 1 kΩ, 1% tolerance resistor should be connected between this pin and ground using short and wide traces.
B1	Out	XO	Crystal Output A parallel resonance crystal should be attached between this pin and XI. If an external CMOS clock is injected to XI, XO should be left open.
B2	Out	HPD_DPRX	DisplayPort Receiver HPD Output
B3	In	TTLRX_DIN[0]	TTL Receiver Data Input Bit 0
	In	LVDSRX2B[3]	LVDS Receiver Negative Even Data Channel 3
B4	In	TTLRX_DIN[2]	TTL Receiver Data Input Bit 2
	In	LVDSRX2_CKB	LVDS Receiver Negative Even Clock Channel
B5	In	TTLRX_DIN[4]	TTL Receiver Data Input Bit 4
	In	LVDSRX2B[2]	LVDS Receiver Negative Even Data Channel 2
B6	In	TTLRX_DIN[6]	TTL Receiver Data Input Bit 6
	In	LVDSRX2B[1]	LVDS Receiver Negative Even Data Channel 1
B7	In	TTLRX_DIN[8]	TTL Receiver Data Input Bit 8
	In	LVDSRX2B[0]	LVDS Receiver Negative Even Data Channel 0
B8	In	TTLRX_DIN[9]	TTL Receiver Data Input Bit 9
	In	LVDSRX1B[3]	LVDS Receiver Negative Odd Data Channel 3
B9	In	TTLRX_DIN[11]	TTL Receiver Data Input Bit 11
	In	LVDSRX1_CKB	LVDS Receiver Negative Odd Clock Channel
B10	In	TTLRX_DIN[13]	TTL Receiver Data Input Bit 13
	In	LVDSRX1B[2]	LVDS Receiver Negative Odd Data Channel 2
B11	In	TTLRX_DIN[15]	TTL Receiver Data Input Bit 15
	In	LVDSRX1B[1]	LVDS Receiver Negative Odd Data Channel 1
B12	In	TTLRX_DIN[17]	TTL Receiver Data Input Bit 17
	In	LVDSRX1B[0]	LVDS Receiver Negative Odd Data Channel 0

C3	In/Out	GPIO[1]	General Purpose Input/Output
C4	In	TTLRX_HSYNC	TTL Receiver HSYNC Input
	In	LVDSRX_ENPWR	General Purpose Input
C5	In	TTLRX_VSYNC	TTL Receiver VSYNC Input
	In	LVDSRX_ENBLK	General Purpose Input
C6	In	TTLRX_DE	TTL Receiver DE Input
	In	LVDSRX_PWM	General Purpose Input
C10	In	TTLRX_DIN[21]	TTL Receiver Data Input Bit 21
C11	In	TTLRX_DIN[22]	TTL Receiver Data Input Bit 22
C12	In	TTLRX_DIN[23]	TTL Receiver Data Input Bit 23
C13	Out	CVBS	CVBS Output Signal switched from DAC0 internally. While this pin is CVBS output enabled, no signal output from the pin of DAC0.
C14	Out	DAC0	DAC Output
D1	In	RXC_HMRX	HDMI Receiver Positive Clock Channel
	In	BT656_D[1]	BT656 Input Data Bit 1
D2	In	RXCB_HMRX	HDMI Receiver Negative Clock Channel
	In	BT656_D[0]	BT656 Input Data Bit 0 (LSB)
D3	In	AS	Serial Port Slave Device Address Selection
D4	In/Out	IRQ	General Purpose Input/Output Default definition is interrupt to CH7039 Host
D5	In/Out	AUXP_RX	DisplayPort Receiver Positive AUX CH
D6	In/Out	AUXN_RX	DisplayPort Receiver Negative AUX CH
D9	In	TTLRX_DIN[19]	TTL Receiver Data Input Bit 19
D10	In	TTLRX_DIN[20]	TTL Receiver Data Input Bit 20
D11	Out	I2S_WSO	I2S Output Channel Select CMOS level signal, typical 3.3 for high, 0 for low.
D12	In	HPD_DPTX	DisplayPort Transmitter HPD Input
D13	Out	DAC1	DAC Output
D14	Out	DAC2	DAC Output
E1	In	RX0_HMRX	HDMI Receiver Positive Data Channel 0
	In	BT656_D[3]	BT656 Input Data Bit 3
E2	In	RX0B_HMRX	HDMI Receiver Negative Data Channel 0
	In	BT656_D[2]	BT656 Input Data Bit 2
E3	In	AVSS_PLL	Analog ground
E4	In	BT656_VS	BT656 Input VSYNC
	In/Out	DDC_SD_HMRX	HDMI Receiver DDC Data Channel This pin functions as the bi-directional data pin of the serial port to HDMI DDC receiver. This pin will require a pull-up 47 kΩ Resistor to the desired voltage level.
E5	IN	SDET_DPRX	DisplayPort Receiver Detection
E10	Out	I2S_CLKO	I2S Output Clock CMOS level signal, typical 3.3 for high, 0 for low.

	In/Out	GPIOR[3]	General Purpose Input/Output
	Out	SPDIF_DO0	SPDIF Data Output 0 for 8 CH mode
E11	Out	I2S_DO	I2S Data Output for 2 CH mode or I2S Data Output 0 for 8 CH mode CMOS level signal, typical 3.3 for high, 0 for low.
	Out	SPDIF_DO	S/PDIF Data Output
	In/Out	GPIOR[1]	General Purpose Input/Output
E12	In/Out	GPIO[5]	General Purpose Input/Output
F1	In	RX1_HMRX	HDMI Receiver Positive Data Channel 1
	In	BT656_D[5]	BT656 Input Data Bit 2
F2	In	RX1B_HMRX	HDMI Receiver Negative Data Channel 1
	In	BT656_D[4]	BT656 Input Data Bit 3
F3	In	BT656_CLK	BT656 Input Clock
F4	In	BT656_HS	BT656 Input HSYNC
	In	DDC_SC_HMRX	HDMI Receiver DDC Clock Channel This pin functions as the clock bus of the serial port to HDMI DDC receiver. This pin will require a pull-up 47 kΩ Resistor to the desired voltage level.
F6	In	HPD_HMTX	HDMI Transmitter HPD Input
F7	In/Out	DDC_SD_HMTX	HDMI Transmitter DDC Data Channel This pin functions as the bi-directional data pin of the serial port to HDMI DDC receiver. This pin will require a pull-up 1.8 kΩ Resistor to the desired voltage level.
F8	Out	DDC_SC_HMTX	HDMI Transmitter DDC Clock Channel This pin functions as the clock bus of the serial port to DDC receiver. This pin will require a pull-up 1.8 kΩ Resistor to the desired voltage level.
F9	In	ATPG	ATPG Enable
F11	Out	I2S_MCLKO	I2S Output Clock I2S_MCLKO can be configured to be 128/256/384*Fs CMOS level signal, typical 3.3 for high, 0 for low.
	In/Out	GPIOR[0]	General Purpose Input/Output
	Out	SPDIF_DO3	SPDIF Data Output 3 for 8 CH mode (RevC Only)
F13	In	DPRX1	DisplayPort Receiver Positive Lane 1
F14	In	DPRX1B	DisplayPort Receiver Negative Lane 1
G1	In	RX2_HMRX	HDMI Receiver Positive Data Channel 2
	In	BT656_D[7]	BT656 Input Data Bit 0 (MSB)
G2	In	RX2B_HMRX	HDMI Receiver Negative Data Channel 2
	In	BT656_D[6]	BT656 Input Data Bit 1
G4	In	BT656_DE	BT656 Input DE
	Out	HPD_HMRX	HDMI Receiver HPD Output
G6	In	BDIC	Power Level Detection Pull Low to disable 3.3V power level detection; Pull High to enable 3.3V power level detection;
G9	In/Out	GPIO[0]	General Purpose Input/Output
G11	In/Out	GPIO[4]	General Purpose Input/Output

	Out	I2S_DO1	I2S Data Output 1 for 8 CH mode
G13	In	DPRX0	DisplayPort Receiver Positive Lane 0
G14	In	DPRX0B	DisplayPort Receiver Negative Lane 0
H6	In/Out	BLUP/ GPIO[0]	General Purpose Input/Output Default definition is LCD backlight brightness control
	In	MCLK_I2SIN	Input I2S Clock
H9	In	RESETB	Chip Reset Low to 0V for reset. Typical High level is 3.3V
H11	In/Out	SPD	I2C Slave Serial Port Data This pin functions as the data pin of the serial port. External pull-up 6.8 kΩ Resistor is required.
J1	Out	TX1B_DPTX	DisplayPort Transmitter Lane 1 Negative Data
J2	Out	TX1_DPTX	DisplayPort Transmitter Lane 1 Positive Data
J6	In	CLK_I2SIN	Input Clock of I2S Input
	In/Out	GPIO[3]	General Purpose Input/Output
J7	In/Out	GPIO[2]	General Purpose Input/Output
J8	In/Out	DDC_SD_LDTX	LVDS Transmitter DDC Data Channel This pin functions as the bi-directional data pin of the serial port to LVDS DDC receiver. This pin will require a pull-up 5.6 kΩ Resistor to the desired voltage level.
J9	Out	DDC_SC_LDTX	LVDS Transmitter DDC Clock Channel This pin functions as the clock bus of the serial port to LVDS DDC receiver. This pin will require a pull-up 5.6 kΩ Resistor to the desired voltage level.
J13	Out	HMTX2B	HDMI Transmitter Negative Data 2 Channel
J14	Out	HMTX2	HDMI Transmitter Positive Data 2 Channel
K1	Out	TX0B_DPTX	DisplayPort Transmitter Lane 0 Negative Data
K2	Out	TX0_DPTX	DisplayPort Transmitter Lane 0 Positive Data
K4	Out	VGA_VSYNC	VGA VSYNC Output
	In/Out	GPIO[7]	General Purpose Input/Output
K5	Out	VGA_HSYNC	VGA HSYNC Output
	In/Out	GPIO[6]	General Purpose Input/Output
K10	In	SPC	I2C Slave Serial Port Clock Input This pin functions as the clock pin of the serial port. External pull-up 6.8 kΩ Resistor is required.
K11	In/Out	DDC_SD_VGA	VGA DDC Data Channel This pin functions as the bi-directional data pin of the serial port to VGA DDC receiver. This pin will require a pull-up 5.6 kΩ Resistor to the desired voltage level.
K13	Out	HMTX1B	HDMI Transmitter Negative Data 1 Channel
K14	Out	HMTX1	HDMI Transmitter Positive Data 1 Channel
L5	In	WS_I2SIN	WS of I2S Input
	In/Out	GPIO[2]	General Purpose Input/Output
L6	In	DATA_I2SIN	Data of I2S Input
	In	SPDIF_IN	SPDIF Input
	In/Out	GPIO[1]	General Purpose Input/Output

L9	In/Out	SPDM	<p>I2C Master Serial Port Data If EEPROM is not included inside CH7039 then this pin functions as the bi-directional data pin of the serial port to chip firmware and HDCP Key EEPROM. This pin will require a pull-up 5.6 kΩ Resistor to the desired voltage level. A pull-low resistor 10 kΩ to ground if unused. If EEPROM is included inside CH7039 then this pin can be connected to Host I2C SC to burn EEPROM in production or in evaluation.</p>
L10	Out	SPCM	<p>I2C Master Serial Port Clock If EEPROM is not included inside CH7039 then this pin functions as the clock bus of the serial port to chip firmware and HDCP Key EEPROM. This pin will require a pull-up 5.6 kΩ Resistor to the desired voltage level. A pull-low resistor 10 kΩ to ground if unused. If EEPROM is included inside CH7039 then this pin can be connected to Host I2C SC to burn EEPROM in production or in evaluation.</p>
L11	Out	DDC_SC_VGA	<p>VGA DDC Clock Channel This pin functions as the clock bus of the serial port to VGA DDC receiver. This pin will require a pull-up 5.6 kΩ Resistor to the desired voltage level.</p>
L13	Out	HMTX0B	HDMI Transmitter Negative Data 0 Channel
L14	Out	HMTX0	HDMI Transmitter Positive Data 0 Channel
M2	Out	TTLTX_HSYNC	TTL Transmitter HSYNC Output
	In/Out	LVDS CG[1]	<p>General Purpose Input/Output Default definition is LVDS Panel Selection control</p>
M3	Out	TTLTX_VSYNC	TTL Transmitter VSYNC Output
	In/Out	LVDS CG[0]	<p>General Purpose Input/Output Default definition is LVDS Panel Selection control</p>
M4	Out	TTLTX_DE	TTL Transmitter DE Output
	In/Out	PWM_LDTX	<p>General Purpose Input/Output Default definition is LVDS Panel PWM</p>
M5	Out	TTLTX_D[0]	TTL Transmitter Data Bit 0
	In/Out	ENPWR_LDTX	<p>General Purpose Input/Output Default definition is LVDS Panel Power Enable</p>
M8	Out	TTLTX_D[20]	TTL Transmitter Data Bit 20
	In/Out	STEREO_LRS	<p>General Purpose Input/Output Default definition is Left/Right Eye Swap for 3D mode</p>
M9	Out	TTLTX_D[21]	TTL Transmitter Data Bit 21
	In/Out	STEREO_LBLK	<p>General Purpose Input/Output Default definition is Left Eye Backlight Enable for 3D mode</p>
M10	Out	TTLTX_D[22]	TTL Transmitter Data Bit 22
	In/Out	STEREO_RBLK	<p>General Purpose Input/Output Default definition is Right Eye Backlight Enable for 3D mode</p>
M11	Out	TTLTX_D[23]	TTL Transmitter Data Bit 23
	In/Out	STEREO_LRE	<p>General Purpose Input/Output Default definition is Left/Right Eye Indicator for 3D mode</p>
M13	Out	HMTXCB	HDMI Transmitter Negative Clock Channel
M14	Out	HMTXC	HDMI Transmitter Positive Clock Channel
N1	Out	TTLTX_D[1]	TTL Transmitter Data Bit 1
	Out	TXC2_LDTX	LVDS Transmitter Positive Even Clock Channel

	Out	DSD_DO0	DSD Audio (One Bit Audio) Output 0
N2	Out	TTLTX_D[3]	TTL Transmitter Data Bit 3
	Out	TX7_LDTX	LVDS Transmitter Positive Even Data Channel 3
	Out	DSD_DO2	DSD Audio (One Bit Audio) Output 2
N3	Out	TTLTX_D[5]	TTL Transmitter Data Bit 5
	Out	TX6_LDTX	LVDS Transmitter Positive Even Data Channel 2
	Out	DSD_DO4	DSD Audio (One Bit Audio) Output 4
N4	Out	TTLTX_D[7]	TTL Transmitter Data Bit 7
	Out	TX5_LDTX	LVDS Transmitter Positive Even Data Channel 1
	Out	DSD_DO6	DSD Audio (One Bit Audio) Output 6
N5	Out	TTLTX_D[9]	TTL Transmitter Data Bit 9
	Out	TX4_LDTX	LVDS Transmitter Positive Even Data Channel 0
	Out	DSD_WS	DSD Audio (One Bit Audio) WS
N7	Out	TTLTX_D[10]	TTL Transmitter Data Bit 10
	Out	TXC1_LDTX	LVDS Transmitter Positive Odd Clock Channel
N8	Out	TTLTX_D[12]	TTL Transmitter Data Bit 12
	Out	TX3_LDTX	LVDS Transmitter Positive Odd Data Channel 3
N9	Out	TTLTX_D[14]	TTL Transmitter Data Bit 14
	Out	TX2_LDTX	LVDS Transmitter Positive Odd Data Channel 2
N10	Out	TTLTX_D[16]	TTL Transmitter Data Bit 16
	Out	TX1_LDTX	LVDS Transmitter Positive Odd Data Channel 1
N11	Out	TTLTX_D[18]	TTL Transmitter Data Bit 18
	Out	TX0_LDTX	LVDS Transmitter Positive Odd Data Channel 0
P1	Out	TTLTX_D[2]	TTL Transmitter Data Bit 2
	Out	TXC2B_LDTX	LVDS Transmitter Negative Even Clock Channel
	Out	DSD_DO1	DSD Audio (One Bit Audio) Output 1
P2	Out	TTLTX_D[4]	TTL Transmitter Data Bit 4
	Out	TX7B_LDTX	LVDS Transmitter Negative Even Data Channel 3
	Out	DSD_DO3	DSD Audio (One Bit Audio) Output 3
P3	Out	TTLTX_D[6]	TTL Transmitter Data Bit 6
	Out	TX6B_LDTX	LVDS Transmitter Negative Even Data Channel 2
	Out	DSD_DO5	DSD Audio (One Bit Audio) Output 5
P4	Out	TTLTX_D[8]	TTL Transmitter Data Bit 8
	Out	TX5B_LDTX	LVDS Transmitter Negative Even Data Channel 1
	Out	DSD_DO7	DSD Audio (One Bit Audio) Output 7
P5	Out	TTLTX_CLK	TTL Transmitter Clock Output
	Out	TX4B_LDTX	LVDS Transmitter Negative Even Data Channel 0
	Out	DSD_CLK	DSD Bit Clock Output
P7	Out	TTLTX_D[11]	TTL Transmitter Data Bit 11

	Out	TXC1B_LDTX	LVDS Transmitter Negative Odd Clock Channel
P8	Out	TTLTX_D[13]	TTL Transmitter Data Bit 13
	Out	TX3B_LDTX	LVDS Transmitter Negative Odd Data Channel 3
P9	Out	TTLTX_D[15]	TTL Transmitter Data Bit 15
	Out	TX2B_LDTX	LVDS Transmitter Negative Odd Data Channel 2
P10	Out	TTLTX_D[17]	TTL Transmitter Data Bit 17
	Out	TX1B_LDTX	LVDS Transmitter Negative Odd Data Channel 1
P11	Out	TTLTX_D[19]	TTL Transmitter Data Bit 19
	Out	TX0B_LDTX	LVDS Transmitter Negative Odd Data Channel 0
P12	In/Out	AUXN_DPTX	DisplayPort Transmitter AUX CH Negative Data
P13	In/Out	AUXP_DPTX	DisplayPort Transmitter AUX CH Positive Data
P14	In/Out	GPIO[3]	General Purpose Input/Output
A2,B13, P6	Power	AVCC_IO	LVDS /TTL Rx/Tx Analog Power Supply(1.8~3.3V) While for LVDS configure, the power supply should be 3.3V
A13,C2, F12,G12 ,J4,L12	Power	AVCC_33	Analog 3.3V Power Supply
B14,C9, E13,H1, H13,H1 4,L1,L2, L3,M1, M12,N1 2,N13	Power	AVSS	Analog ground
C1,E14, K3,L4,N 14	Power	AVCC_12	Analog 1.2V Power Supply
C7,C8, D7,E6~ E9,F5,F 10,G5,G 7,G8,G1 0,H2~H 5,H7,H8 ,H10,J5, J10,J11, K6~K9, K12,L7, L8,M7	Power	DGND	Digital Power Ground
D8,M6	Power	VDD_DDR	Digital Power supply, 1.8V
G3,H12, J3,J12,N 6	Power	DVDD	Digital Power Supply, 1.2V

2.0 PACKAGE DIMENSION

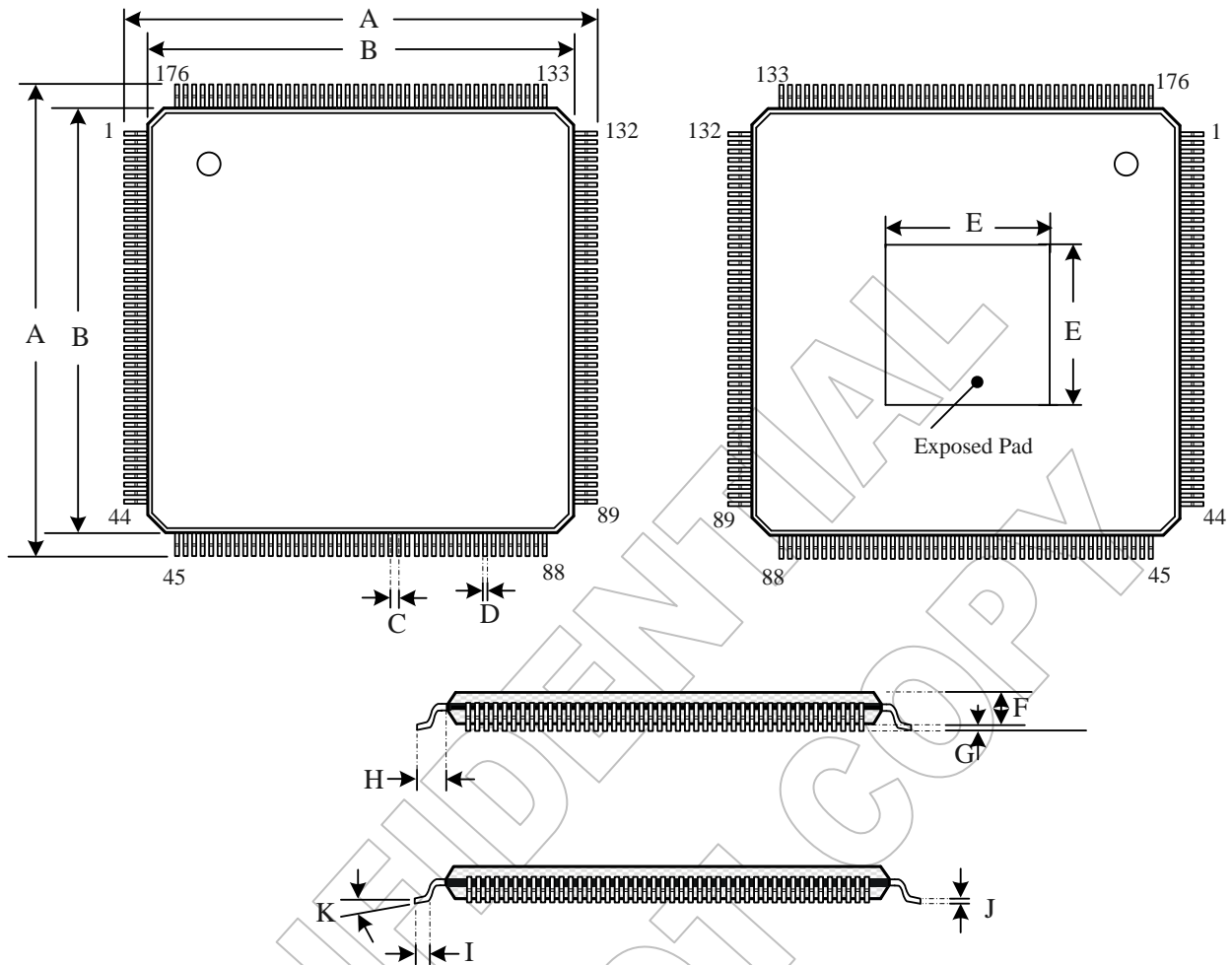


Figure 4: 176 pin LQFP package (20 x 20 mm)

Table of Dimensions

No. of Leads		SYMBOL										
176 (20 X 20 mm)		A	B	C	D	E	F	G	H	I	J	K
Milli-meters	MIN	21.80	19.90	0.35	0.13	6.50	1.35	0.05	1.00	0.45	0.9	0°
	NOM	22.00	20.00	0.40	0.18		1.40	-		0.60	-	3.5°
	MAX	22.20	20.10	0.45	0.23		1.45	0.15		0.75	0.20	7°

Notes:

Conforms to JEDEC standard JESD-30 MO-220.

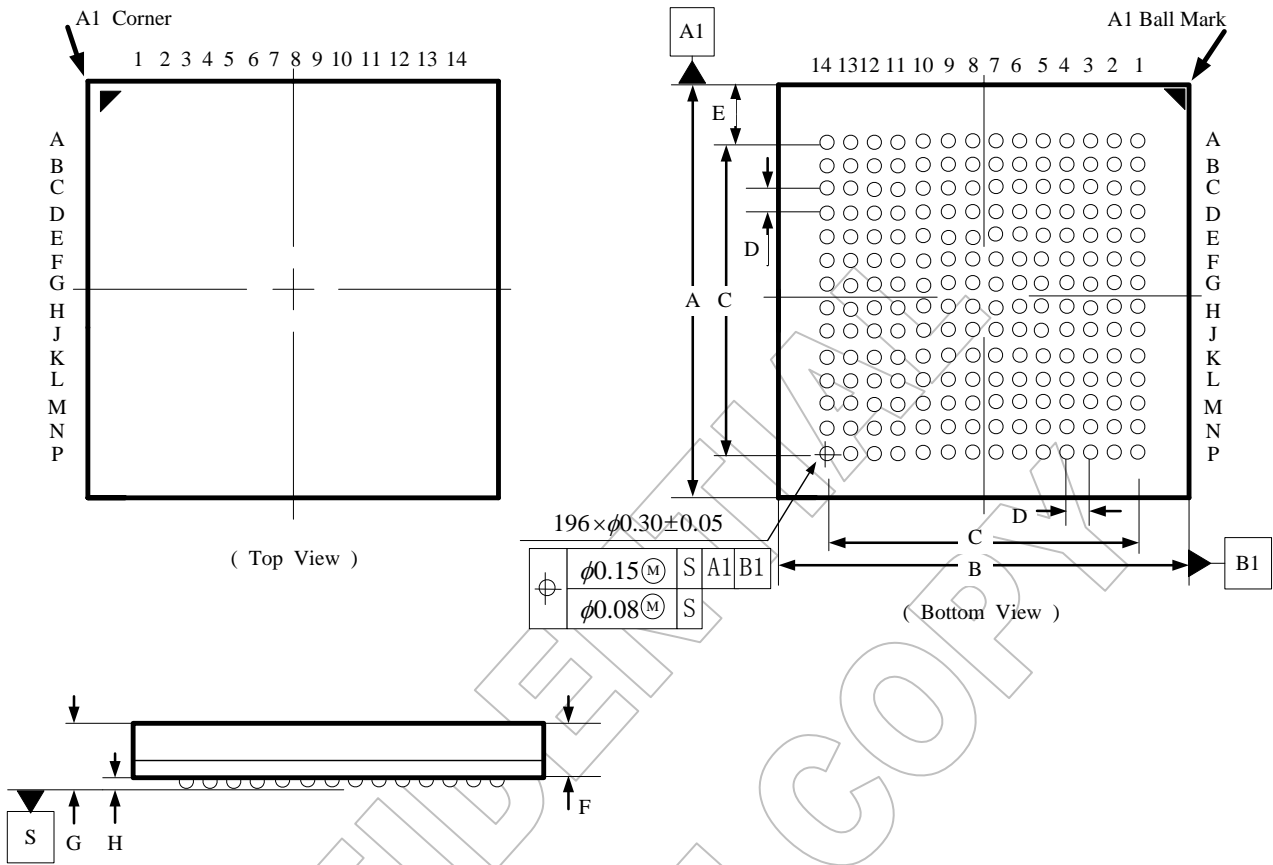


Figure 5: 196 Pin BGA Package (10x10 mm)

Table of Dimensions

No. of Leads		SYMBOL							
196 (10x10 mm)		A	B	C	D	E	F	G	H
Milli-meters	MIN	9.90	9.90	8.45	0.65	0.78 REF	0.76	-	0.16
	NOM	10.00	10.00				0.81	-	0.21
	MAX	10.10	10.10				0.86	1.12	0.26

Notes:

1. All dimensions are in millimeters.
2. Solder ball dimension is post reflow diameter.

3.0 REVISION HISTORY

Rev. #	Date	Section	Description
1.0	2016.02.03	All	First Official Release
1.1	2016.02.03	Order Information	Update the Order Information
1.11	2016.04.26	1.2	Update the pin description
1.12	2017.06.09	1.2	Update the pin description
1.13	2017.06.22	1.2	Update the pin description
1.14	2017.07.10	1.2	Update the pin description
1.15	2017.09.05	1.2	Update the pin description

CONFIDENTIAL
 DO NOT COPY

Disclaimer

This document provides technical information for the user. Chrontel reserves the right to make changes at any time without notice to improve and supply the best possible product and is not responsible and does not assume any liability for misapplication or use outside the limits specified in this document. CHRONTEL warrants each part to be free from defects in material and workmanship for a period of one (1) year from date of shipment. Chrontel assumes no liability for errors contained within this document. The customer should make sure that they have the most recent data sheet version. Customers should take appropriate action to ensure their use of the products does not infringe upon any patents. Chrontel, Inc. respects valid patent rights of third parties and does not infringe upon or assist others to infringe upon such rights.

Chrontel PRODUCTS ARE NOT AUTHORIZED FOR AND SHOULD NOT BE USED WITHIN LIFE SUPPORT SYSTEMS OR NUCLEAR FACILITY APPLICATIONS WITHOUT THE SPECIFIC WRITTEN CONSENT OF Chrontel. Life support systems are those intended to support or sustain life and whose failure to perform when used as directed can reasonably expect to result in personal injury or death.

ORDERING INFORMATION			
Part Number	Package Type	Operating Temperature Range	Minimum Order Quantity
CH7039A-TF	176 ETQFP, Lead-free	Commercial : 0°C to 70°C	60/Tray
CH7039A-GF	196 BGA, Lead-free	Commercial : 0 to 70°C	184/Tray

Chrontel

Chrontel International Limited

129 Front Street, 5th floor,
 Hamilton, Bermuda HM12
www.chrontel.com
 E-mail: sales@chrontel.com