
CH7055A Triple High Speed Video DAC

FEATURES

- Three 10-bit high speed DACs
- Sampling frequency up to 165 MHz
- DAC output current range: 2.0 mA to 36 mA
- Wide range of input resolutions support for up to 1920x1200@75Hz (i.e. 640x480, 800x600, 1024x768, 1280x1024, 1600x1200 and etc.)
- Composite Sync Control input
- Composite Sync output
- Sync on Green mode support
- Analog video outputs compliant with VESA VSIS v1r2 specification
- Power-down mode support
- Contrast and Brightness adjustment support
- Serial programmable interface support
- IO Supply Voltages from 1.8V to 3.3V
- Offered in a 40-pin QFN package

APPLICATION

- Car Entertainment Devices
- PC video cards
- High resolution image processing
- Digital video systems
- General purpose high-speed digital-to-analog conversion

GENERAL DESCRIPTION

Chrontel's CH7055A is a low-cost, low-power semiconductor device that consists of three separate 10-bit video Digital-to-Analog Converters (DACs), which can convert the digital input signals into analog current outputs at a maximum conversion rate of 165 MHz.

The DACs are based on current source architecture. Sync and DAC Control Logic module receives horizontal and vertical sync input, generates composite sync and internal synchronization control signal. The CH7055A has a Power-down mode to reduce power consumption as required.

The CH7055A is fabricated in a CMOS process that ensures high functionality with low power dissipation. With advanced Image Enhancement module integrated to achieve the modification of the contrast, brightness, etc, the display quality can be flexible adjusted and optimized through the serial programmable interface.

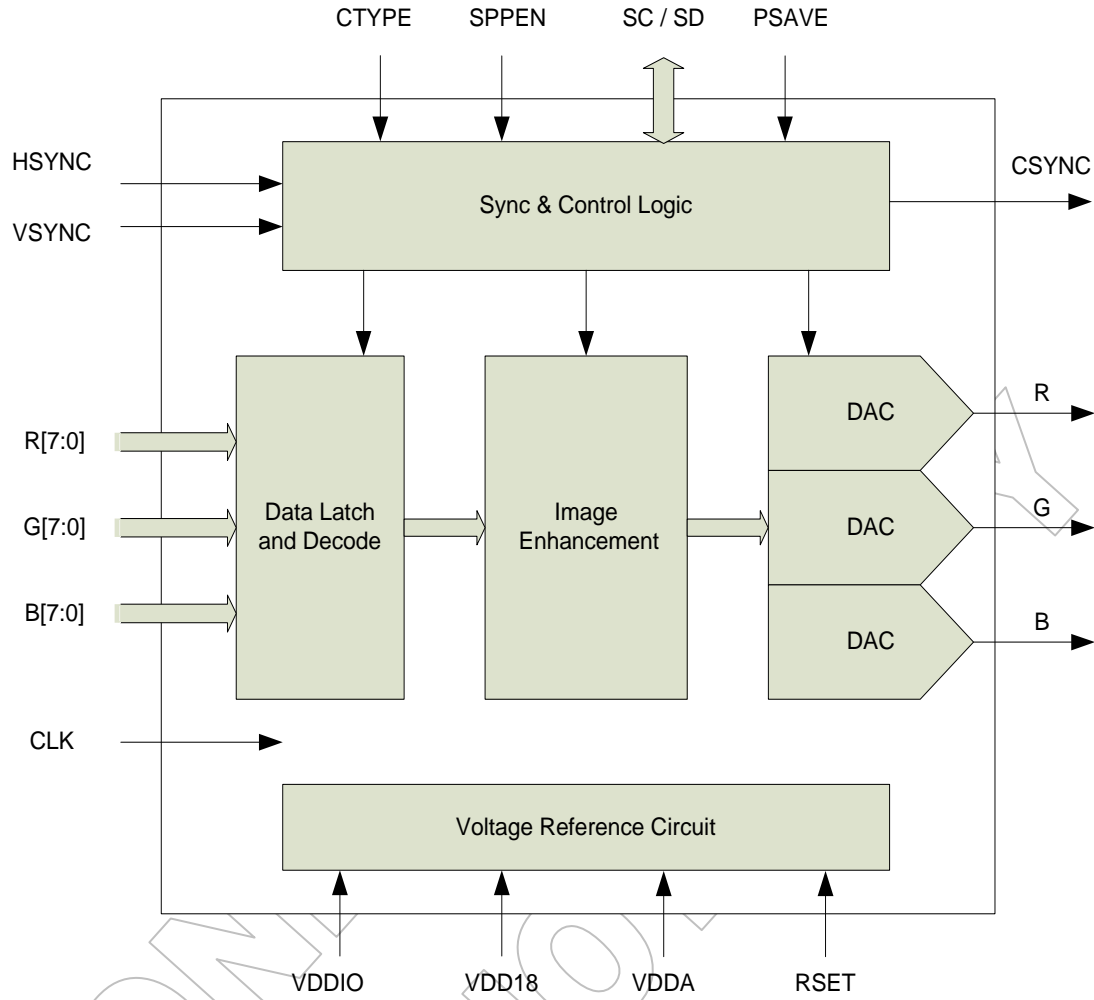


Figure 1: Functional Block Diagram

1.0 PIN-OUT

1.1 Package Diagram

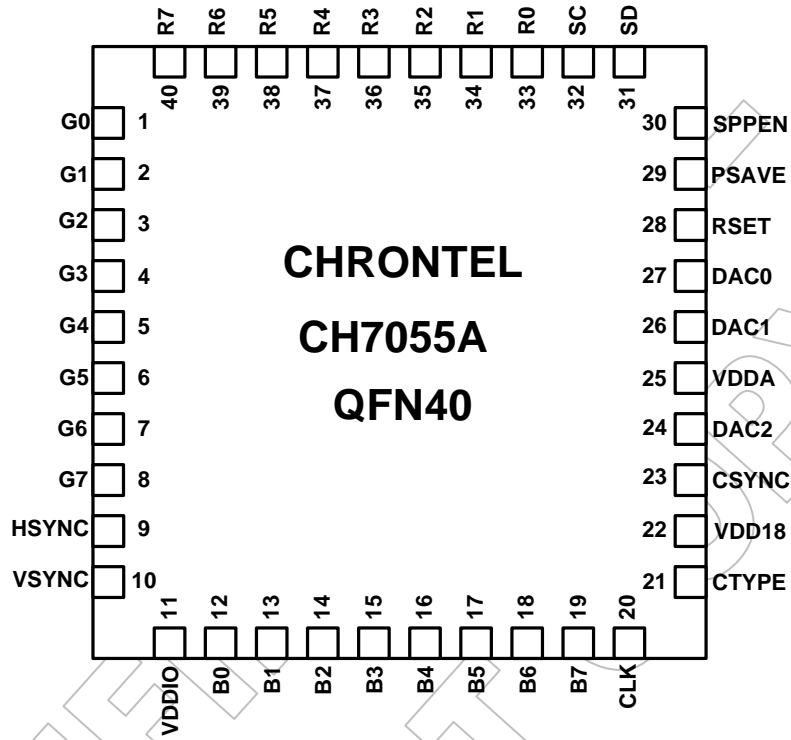


Figure 2: 40 pin QFN Package (Top View)

1.2 Pin Description

Table 1: Pin Name Descriptions (QFN40 Package)

Pin #	Type	Symbol	Description
1~8, 12~19, 33~40,	In	R[7:0] G[7:0] B[7:0]	Data Input These pins accept 24 data input lines from a digital video port of a graphics controller. The swing is defined by VDDIO. All the unused Data input pins should be pulled low with 10 KΩ resistors or shorted to Ground directly.
9	In	HSYNC	Horizontal Sync Input This pin accepts a horizontal sync input for use with the input data. The amplitude will be 0 to VDDIO.
10	In	VSYNC	Vertical Sync Input This pin accepts a vertical sync input for use with the input data. The amplitude will be 0 to VDDIO.
20	In	CLK	External Clock Inputs The input is the clock signal input to the device for use with the H, V, Digital RGB data.
21	In	CTYPE	Csync Type Select or as DE When SPPEN =0 CTYPE is Csync Type Select '0': And Gate; '1': XOR Gate Internally pull high and XOR Gate is default When SPPEN=1 CTYPE is connected to DE
23	Out	CSYNC	Composite sync output The amplitude of this pin is from 0 to AVDD.
24	Out	DAC2	Analog RGB output Full swing is up to 1.3V
26	Out	DAC1	Analog RGB output Full swing is up to 1.3V
27	Out	DAC0	Analog RGB output Full swing is up to 1.3V
28	In	RSET	Current Set Resistor Input This pin sets the DAC current. A 1.2 KΩ, 1% tolerance resistor should be connected between this pin and GND using short and wide traces.
29	In	PSAVE	Power Saving Mode Enable Power Save Control. Reduced power consumption is available when this pin is active. Active low.
30	In	SPPEN	Serial Port Programming Enable This pin is pull up internally, and should be set active before configure the Chip through the serial port. Active High.
31	I/O	SPD	Serial Port Data to Input/Output This pin functions as the bi-directional data pin of the serial port. External pull-up 6.8 KΩ resistor is required.
32	In	SPC	Serial Port Clock input This pin functions as the clock pin of the serial port. External pull-up 6.8 KΩ resistor is required.
11	Power	VDDIO	IO Power Supply (1.8-3.3V)
22	Power	VDD18	Digital Power Supply (1.8V)
25	Power	VDDA	Analog Power Supply (3.3V)
Thermal Pad	Power	GND	Ground

2.0 PACKAGE DIMENSIONS

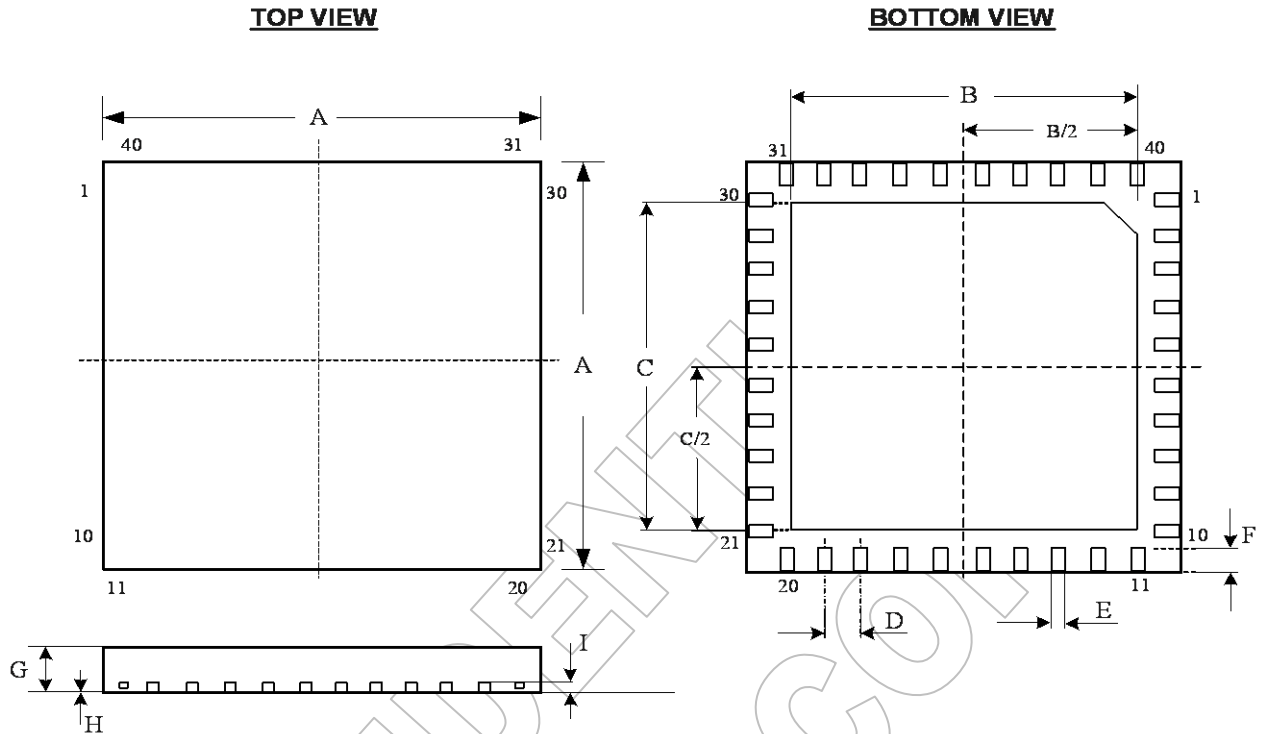


Figure 3: 40 Pin QFN Package (5 x 5 mm)

Table of Dimensions

No. of Leads		SYMBOL								
40 (5 X 5 mm)		A	B	C	D	E	F	G	H	I
Milli-meters	MIN	4.90	3.20	3.20	0.4	0.15	0.35	0.7	0	0.20
	MAX	5.10	3.75	3.75		0.25	0.55	0.8	0.05	0.203

Notes:

1. Conforms to JEDEC standard JESD-30 MO-220.

Disclaimer

This document provides technical information for the user. Chrontel reserves the right to make changes at any time without notice to improve and supply the best possible product and is not responsible and does not assume any liability for misapplication or use outside the limits specified in this document. CHRONTEL warrants each part to be free from defects in material and workmanship for a period of one (1) year from date of shipment. Chrontel assumes no liability for errors contained within this document. The customer should make sure that they have the most recent data sheet version. Customers should take appropriate action to ensure their use of the products does not infringe upon any patents. Chrontel, Inc. respects valid patent rights of third parties and does not infringe upon or assist others to infringe upon such rights.

Chrontel PRODUCTS ARE NOT AUTHORIZED FOR AND SHOULD NOT BE USED WITHIN LIFE SUPPORT SYSTEMS OR NUCLEAR FACILITY APPLICATIONS WITHOUT THE SPECIFIC WRITTEN CONSENT OF Chrontel. Life support systems are those intended to support or sustain life and whose failure to perform when used as directed can reasonably expect to result in personal injury or death.

ORDERING INFORMATION			
Part Number	Package Type	Operating Temperature Range	Minimum Order Quantity
CH7055A-BF	40QFN, Lead-free	Commercial : -20 to 70°C	490/Tray
CH7055A-BFI	40QFN, Lead-free	Industrial : -40 to 85°C	490/Tray

Chrontel

www.chrontel.com

E-mail: sales@chrontel.com